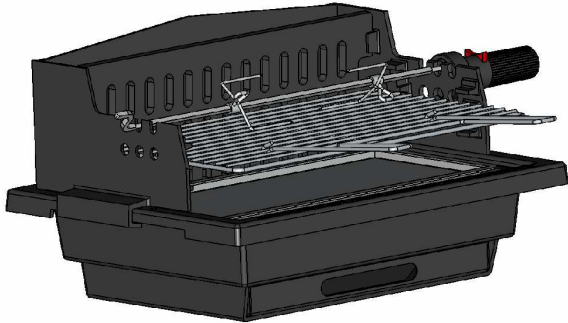


Reference : GRIL COMPLET PM AVEC TIROIR G34

Conforms to standard : EN 1860-1 : 2003

- This grill cannot stand alone, it must be set up on purpose-built stonework.
- 1 LR20 battery, not supplied.



Technical characteristics:

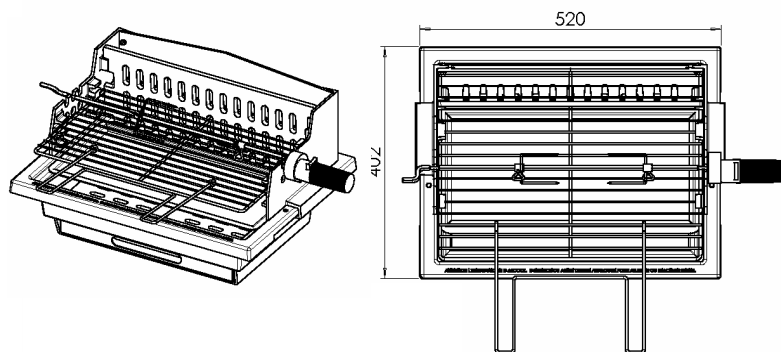
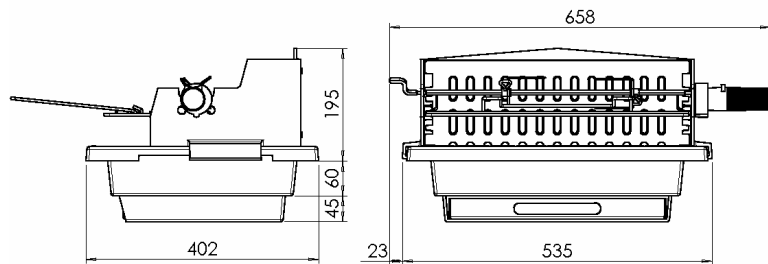
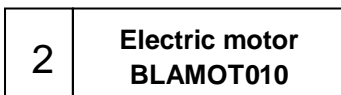
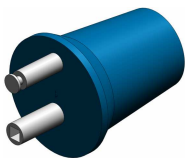
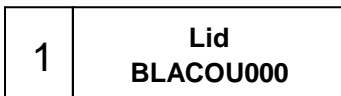
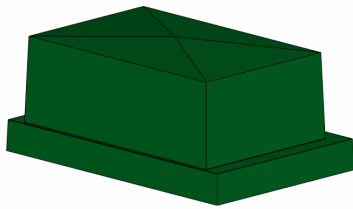
- Grill weight : 33 kg
- Grill dimensions : 540 x 400 x 300 mm
- Insert dimensions : 450 x 340 x 50 mm
- Whole grill made out of cast-iron
- Use : charcoal
- Grill cooking surface : 455 x 340 mm
- Ash drawer
- Rotissoire
- Battery-powered motor

Options :

- Lid (1) : BLACOU000
- Electric motor (2) : BLAMOT010



2 year warranty



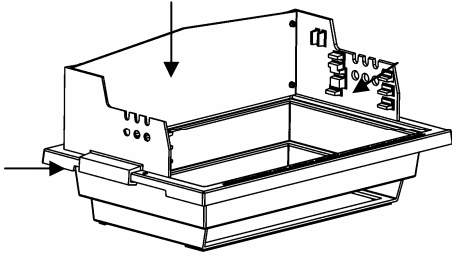
WARNING ! This barbecue will get very hot. Do not move it while in use.

WARNING ! Do not use in enclosed rooms.

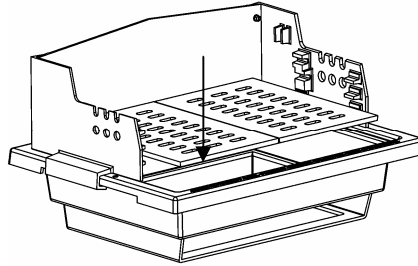
WARNING ! Do not use alcohol, petrol or any other similar liquid to light or reignite the barbecue.

WARNING ! Do not leave the barbecue within reach of children or pets.

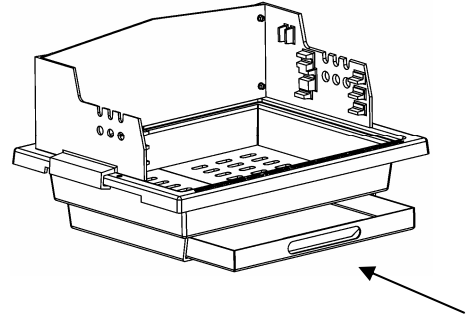
1 ASSEMBLY



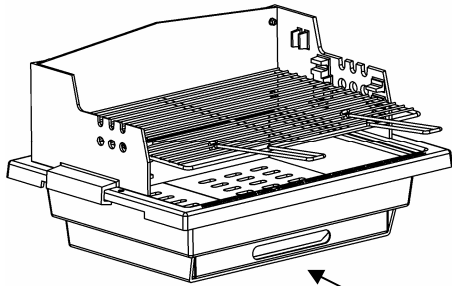
Place the side panels on the barbecue then screw in the wind break with the screws, washers and nuts provided



Place the cast-iron grates in the box

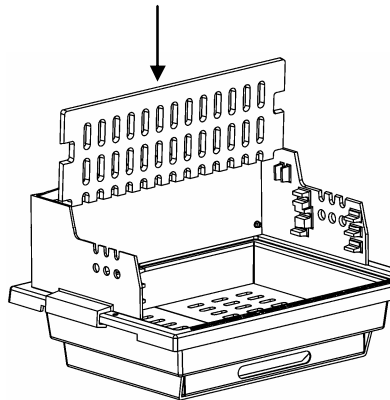


Place the ash drawer underneath



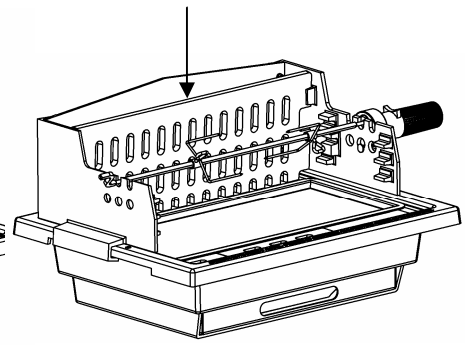
Rack position

Drawer in use position

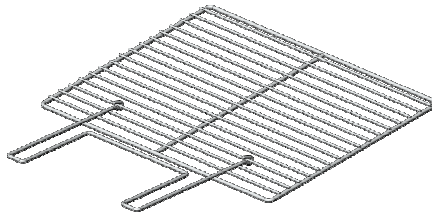
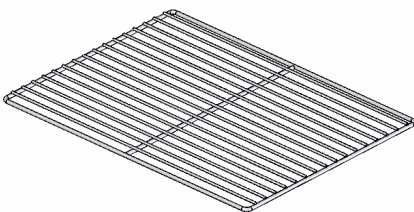


Rotisserie position

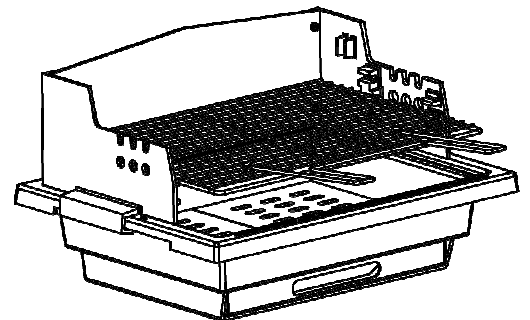
Insert the vertical grate in the notches



2 ADVICE



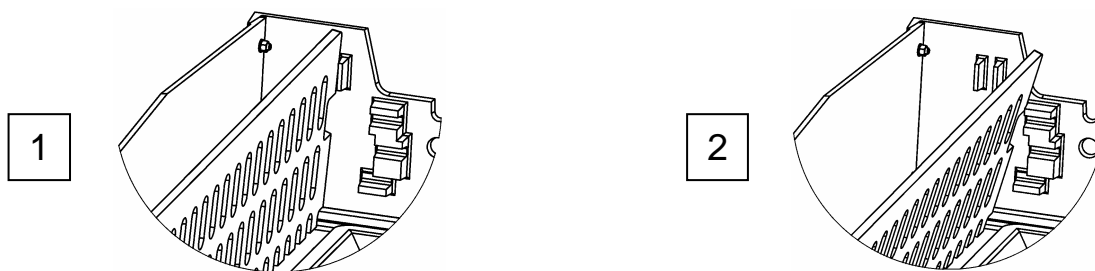
To avoid risks, the handle must be removed from the rack during cooking



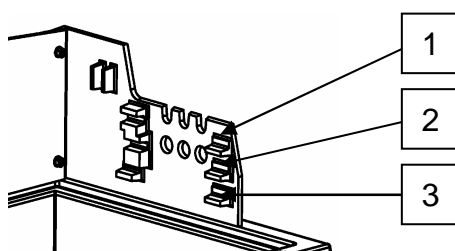
Cooking rack conforms to the regulations in force

Recommendations for use

- The maximum authorised load of charcoal must not exceed $\frac{3}{4}$ of the height of the grill box.
- The barbecue must not be used without the ash drawer in use position under any circumstances.
- Before cooking with it for the first time, the grill must be heated and fuel kept glowing for at least 30 min.
- Cover the fuel with a layer of ash before you cook each time.
- In rotisserie mode:
 - Position 1 : not much charcoal.
 - Position 2 : a lot of charcoal.



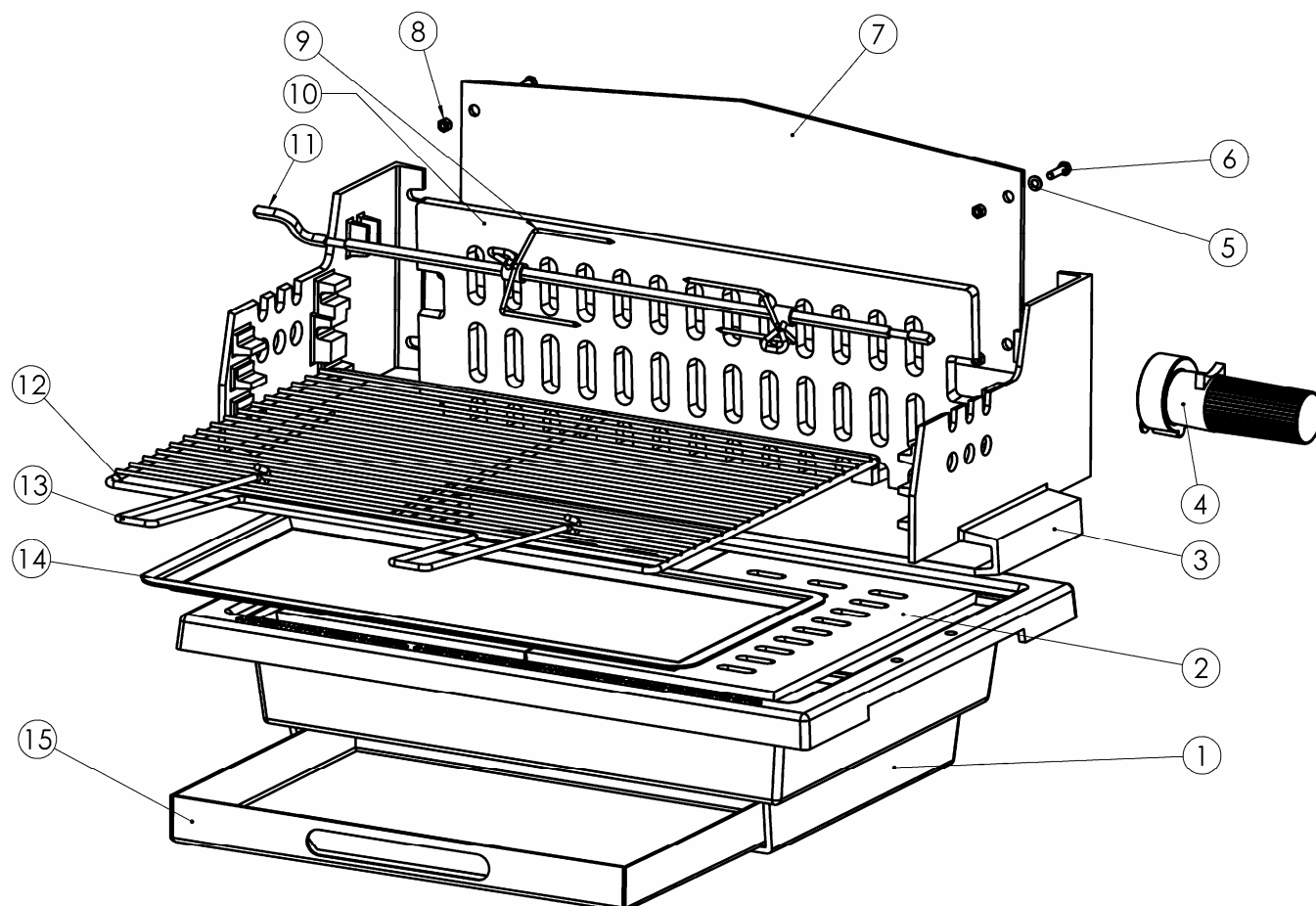
- In grill position, the cooking rack can be placed at 3 different heights:



- Wait until the barbecue has fully cooled down before removing the ash.

Care and storage advice

- We recommend that you cover the grill if it is left outdoors, to protect it from bad weather and damp, particularly when it not used for a long period of time.
- Check that the grill and its accessories are cool enough before cleaning them.
- Clean the cooking rack with hot water and soap.
- Clean the grill with a wooden or flexible plastic scraper to remove excess grease.
- Check the drawer after each use. If there is a lot of ash or grease, throw the contents away in an appropriate metal container for this purpose.



NOMENCLATURE 27 PARTS					
REF	NAME	QTY			
1	CUVE	1	7	PARE-VENT	1
2	GRILLE FONTE	2	8	ECROU	4
3	JOUE	2	9	GRIFFE	1
4	MOTEUR MECANIQUE	1	10	GRILLE VERTICALE	2
5	RONDELLE	4	11	BROCHE	1
6	VIS	4	12	GRILLE DE CUISSON	1
			13	POIGNEE	1
			14	PLAT INOX	1
			15	TIROIR	1